

BPI® MINI GRADIENT™

BPI® Mini Gradient™ has a continuous 4-stroke process without a timer. It will continue to cycle until it is turned off. It is simple to use and can be adapted to any unit. One year warranty.

LOW-COST, CONTINUOUS GRADIENT PROCESSING

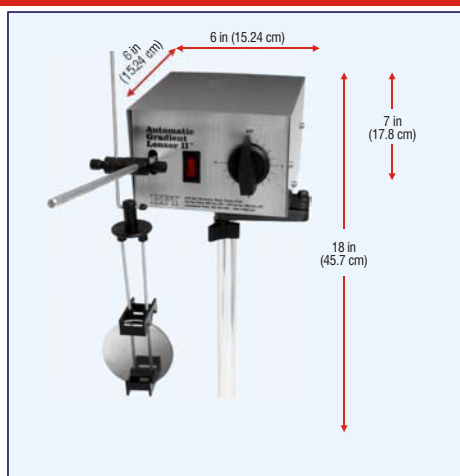
Set-up Kit (No charge)

- One nylon swivel
- Two thumbscrews
- One ¼ inch rod
- One BPI® Lens Holder II™
- One L-rod
- One gradient tip
- One scissor arm and bolts
- Gradient pole.
- Instruction manual

Please specify which type of pole you require. (Counter-top or tinting system mount)

	BPI# 12301 (110v)	BPI# 212301 (220v)
Weight:	7 lbs	3.175 kg
Amperage:	1 amp	
Fuse:	1 amp	

UL® Certification. Meets/exceeds CE standards.



BPI® 4 STROKE GRADIENT III™

This instrument incorporates the proven 4-stroke gradient process. The built in timer automatically turns it off and removes the lenses from the tint when the cycle is complete, giving the technician time for other tasks. Produces gradient lenses only. One year warranty.

GRADIENT PROCESSING UNDER TIMER CONTROL

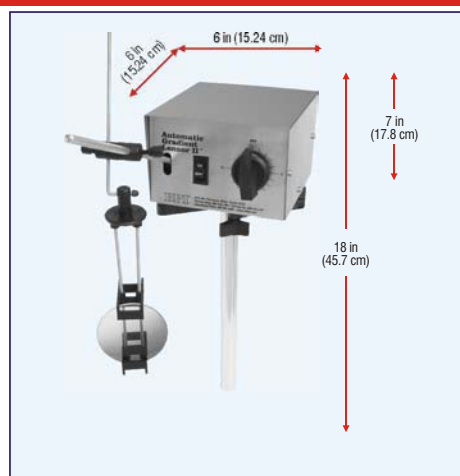
Set-up Kit (No charge)

- One nylon swivel
- Two thumbscrews
- One ¼ inch rod
- One BPI® Lens Holder II™
- One L-rod
- One gradient tip
- One scissor arm and bolts
- Gradient pole.
- Instruction manual

Please specify which type of pole you require. (Counter-top or tinting system mount)

	BPI# 12503 (110v)	BPI# 212503 (220v)
Weight:	7 lbs	3.175 kg
Amperage:	1 amp	
Fuse:	1 amp	

UL® Certification. Meets/exceeds CE standards.



BPI® 5 STROKE GRADIENT III™

This unit is similar to the 4 Stroke Gradient, but it also has a switch that allows the unit to be used to process solid tints under timer control. One year warranty.

GRADIENT & SOLID TINT PROCESSING UNDER TIMER CONTROL

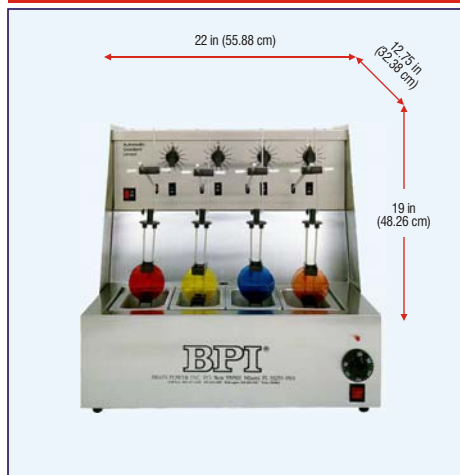
Set-up Kit (No charge)

- One nylon swivel
- Two thumbscrews
- One ¼ inch rod
- One BPI® Lens Holder II™
- One L-rod
- One gradient tip
- One scissor arm and bolts
- Gradient pole.
- Instruction manual

Please specify which type of pole you require. (Counter-top or tinting system mount)

	BPI# 12403 (110v)	BPI# 212403 (220v)
Weight:	7 lbs	3.175 kg
Amperage:	1 amp	
Fuse:	1 amp	

UL® Certification. Meets/exceeds CE standards.



BPI® SOLAR COLOR 4L™ AUTOMATIC 5 STROKE GRADIENT LENSOR II™

The Solar Color 4L™ Automatic 5 Stroke™ Gradient Lensor II™ has been custom designed to fit the Solar Color 4L™ tinting instrument. It combines 4 independently controlled 5-Stroke™ gradients into one unit which is easily positioned behind the Solar Color 4L™ tinting instrument.

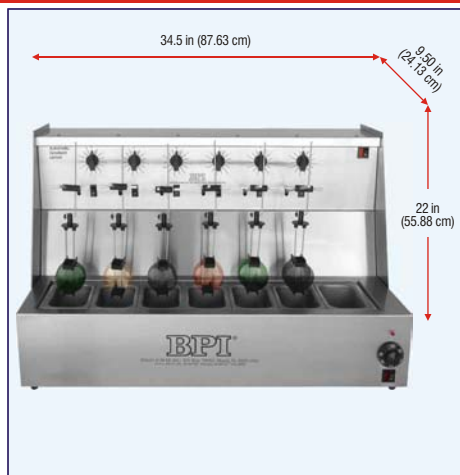
Set-up Kit (No charge)

- Four nylon swivels
- Eight thumbscrews
- Four ¼ inch rods
- Four BPI® Lens Holder II™
- Four L-rods
- Four gradient tips
- Instruction manual

THE LENS TINTING SYSTEM IS SOLD SEPARATELY

	BPI# 14802 (110v)	BPI# 214802 (220v)
Weight:	37 lbs	16.78 kg
Amperage:	1 amp	
Fuse:	1 amp	

UL® listed components. Meets/exceeds CE standards.



BPI® SUPER COLOR I™ AUTOMATIC 5 STROKE GRADIENT LENSOR II™

The Super Color I™ Automatic 5 Stroke™ Gradient Lensor II™ has been custom designed to fit the Super Color I™ tinting instrument. It combines 6 independently controlled 5-Stroke™ gradients into one unit which is easily positioned behind the Super Color I™ tinting instrument.

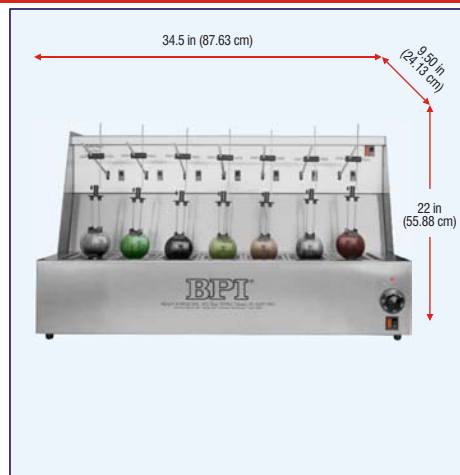
Set-up Kit (No charge)

- Six nylon swivels
- Twelve thumbscrews
- Six ¼ inch rods
- Six BPI® Lens Holder II™
- Six L-rods
- Six gradient tips
- Instruction manual

THE LENS TINTING SYSTEM IS SOLD SEPARATELY

	BPI# 15804 (110v)	BPI# 215804 (220v)
Weight:	47 lbs	21.4 kg
Amperage:	1 amp	
Fuse:	1 amp	

UL® listed components. Meets/exceeds CE standards.



BPI® SUPER COLOR I™ ECONOMY GRADIENT LENSOR™

The Super Color I™ Economy Gradient Lensor™ has been custom designed to fit the Super Color I™ tinting instrument. It combines 7 independently controlled Mini Gradients into one unit which is easily positioned behind the Super Color I™ tinting instrument.

Set-up Kit (No charge)

- Seven nylon swivels
- Fourteen thumbscrews
- Seven ¼ inch rods
- Seven BPI® Lens Holder II™
- Seven L-rods
- Seven gradient tips
- Instruction manual

THE LENS TINTING SYSTEM IS SOLD SEPARATELY

	BPI# 15803 (110v)	BPI# 215803 (220v)
Weight:	47 lbs	21.31 kg
Amperage:	1 amp	
Fuse:	1 amp	

UL® listed components. Meets/exceeds CE standards.